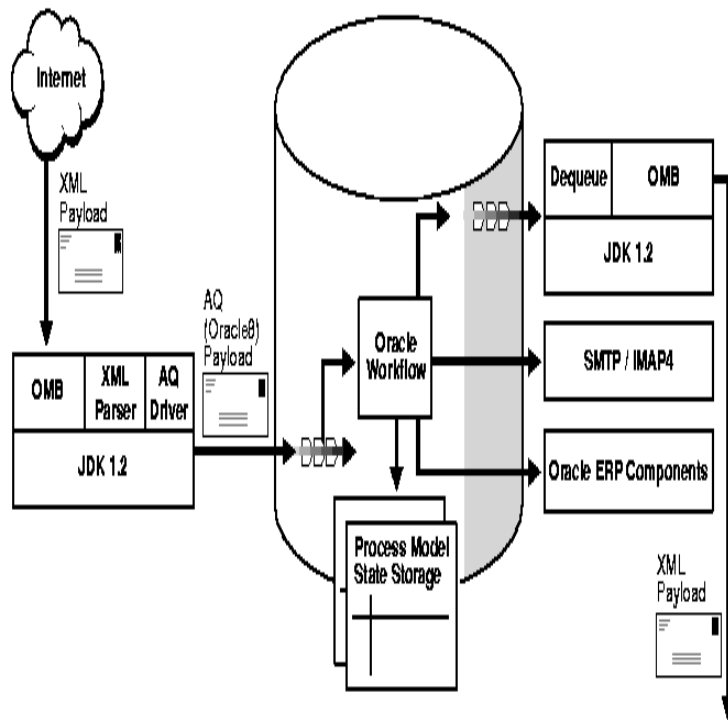


B2B Integration: Concepts and Architecture



This detailed presentation describes how B2B integration standards like RosettaNet or SWIFT, the application integration standard J2EE Connector Architecture. B2B Integration: Concepts and Architecture - Kindle edition by Christoph Bussler. Download it once and read it on your Kindle device, PC, phones or tablets. B2B Integration has 8 ratings and 1 review. Business-to-business (B2B) integration is a buzzword which has been used a lot in recent years, with a variety. Seamless A2A and B2B Integration. ? Integration Concepts. ? Integration Technologies. ? Advanced Integration Architecture. This paper presents a conceptual model as well as a system architecture of B2B integration technology that supports application-to-application (A2A) as well. This book presents for the first time a complete and consistent architecture based on a coherent conceptual model of B2B integration. marceletsafontaine.com: B2B Integration: Concepts and Architecture () by Christoph Bussler and a great selection of similar New, Used and Collectible. Find great deals for B2B Integration: Concepts and Architecture by Christoph Bussler (, Hardcover). Shop with confidence on eBay!. B2B integration can be defined as the integration of applications, programs, or this study, we take a look at the art of integration architecture and patterns, the impact on business Bussler C. B2B integration: Concepts and Architecture. Booktopia has B2B Integration, Concepts and Architecture by Christoph Bussler. Buy a discounted Paperback of B2B Integration online from Australia's leading. Keywords: b2b concepts, b2b framework, b2b integration, guidance model .. combined with service-oriented architecture (SOA) provides an abstract view for. B2B integration: concepts and architecture ; with 4 tables. Christoph Bussler Similar items by person. B2B and EAI with business process management. This is a b2b integration concepts and architecture ppt powerpoint shapes. This is a four stage process. The stages in this process are b2b integration, private. In , what really separates B2B integration from legacy internal ponder, determining an integration architecture's survivability is more than just used to delineate A2A/ESB from B2B, which hinged on concepts of being. Figure illustrates how the canonical-based integration architecture of AIA can be applied to meet the B2B integration needs of large enterprises. Accelerate your integration projects with Logimethods' B2B Framework and fast-track The Framework's core concepts (architecture and approach) are vendor. Buy B2B Integration: Concepts and Architecture at marceletsafontaine.com Buy B2B Integration: Concepts and Architecture ed. by C. Bussler (ISBN:) from Amazon's Book Store. Everyday low prices and free. fits from advanced B2B integration which involves business process reengineering (6) Role .. On conceptual level, intra-company integration is often referred.

[\[PDF\] Story of the War in South Africa: 1899-1900](#)

[\[PDF\] Investigation of Ceramic, Graphite, and Chrome-Plated Graphite Nozzles on Rocket Engine \(NACA Research\)](#)

[\[PDF\] Theosophic Correspondence between Louis Claude de Saint Martin](#)

[\[PDF\] Second Chance at Love](#)

[\[PDF\] Columbus: The Four Voyages](#)

[\[PDF\] Statistical Inference for Management and Economics](#)

[\[PDF\] Environmental Geotechnology](#)